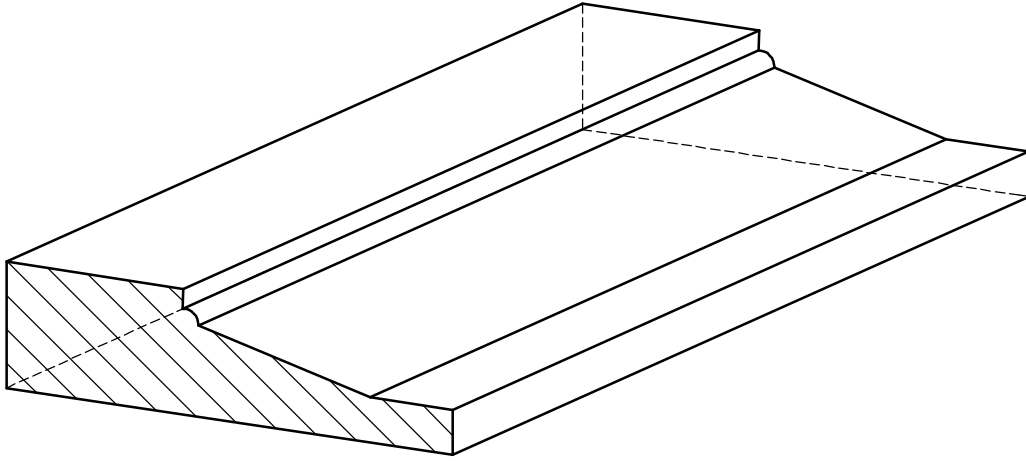
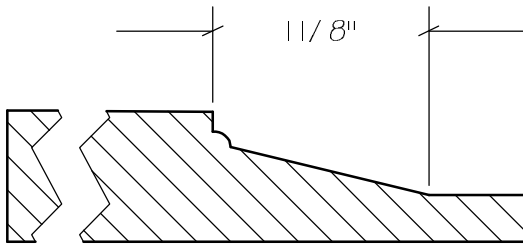


# RaisedPanelProfiles

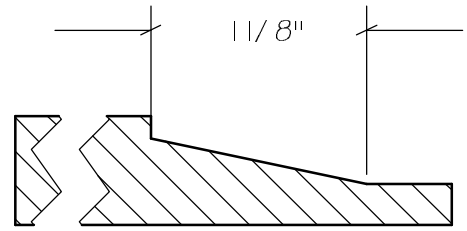
---



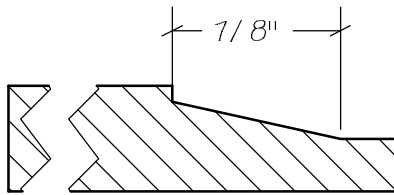
# RaisedPanelProfiles



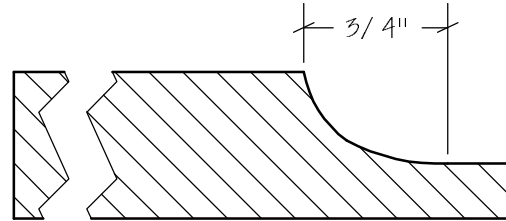
P0-001



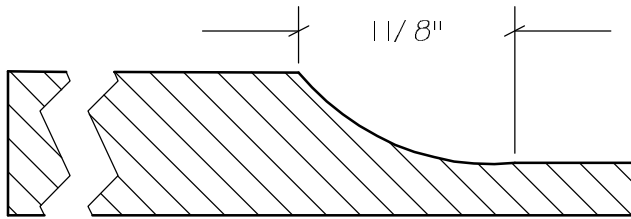
P0-002



P0-003

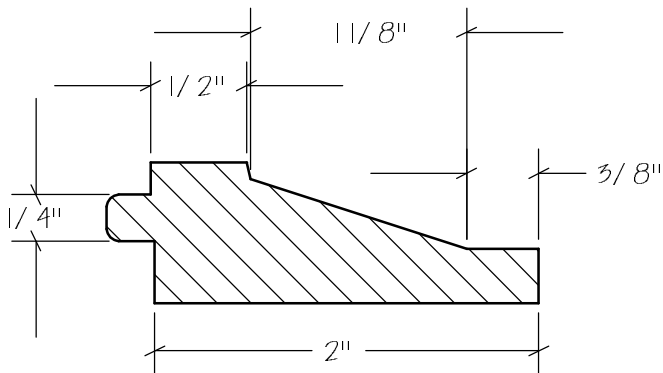


P0-004

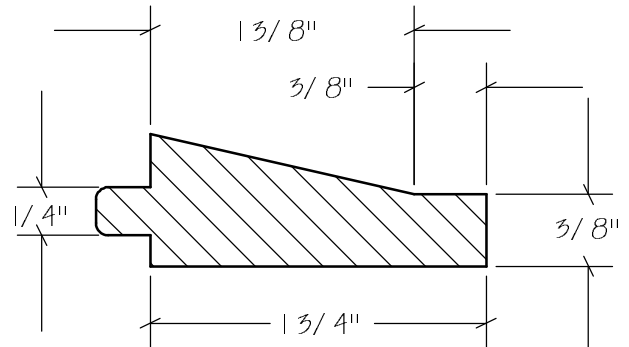


P0-005

## PANEL TRIM MOULDING



P0-006



P0-007