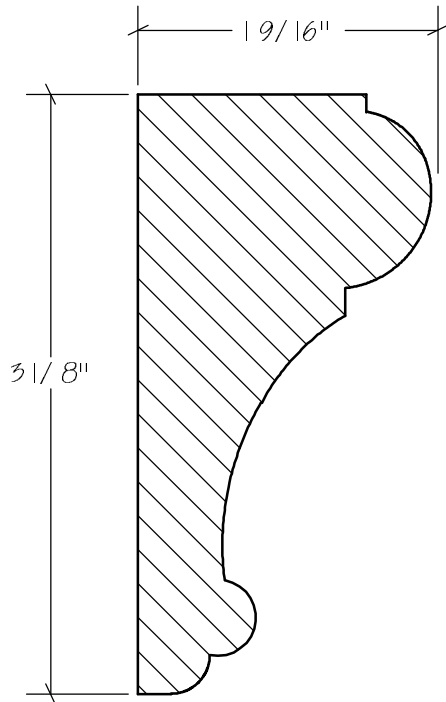
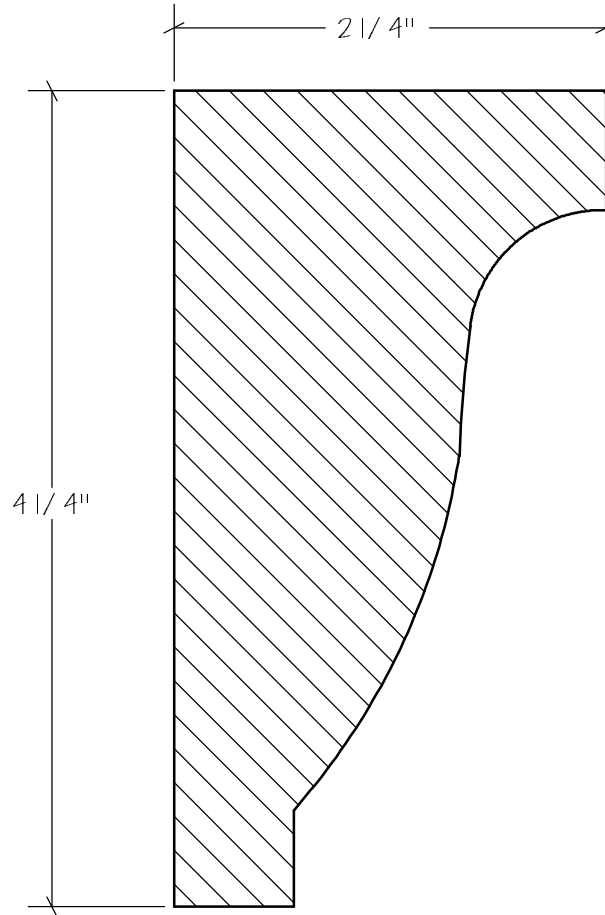


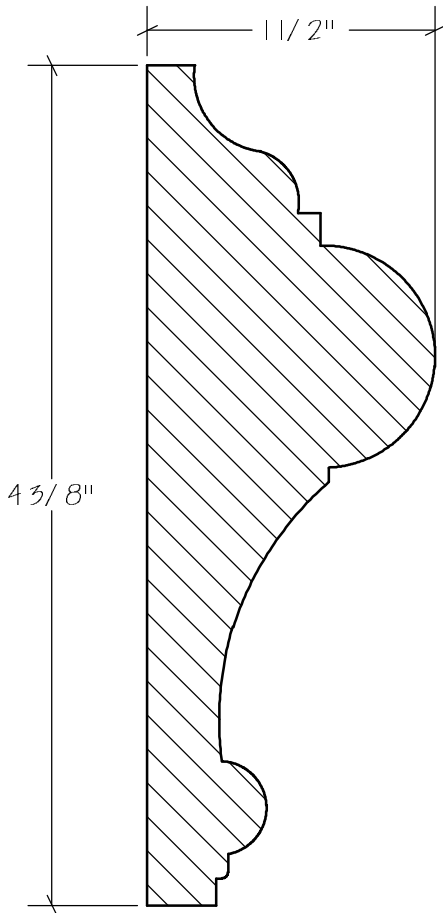
SolidCrowns



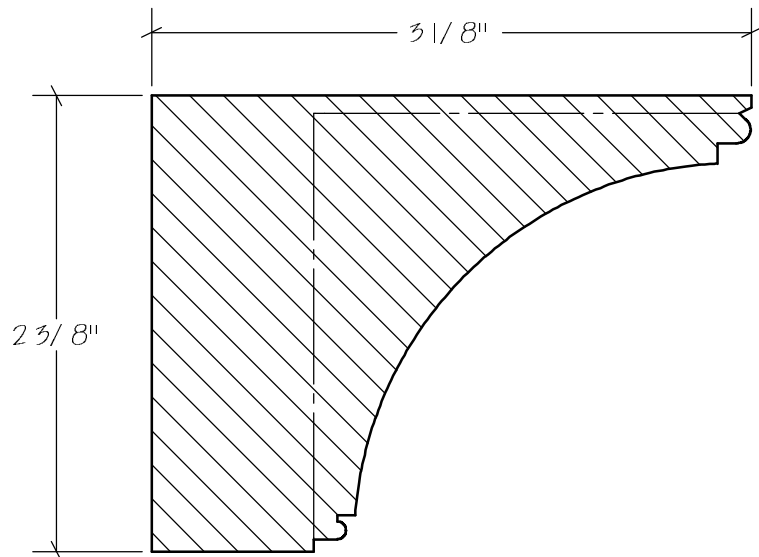
D0-001 MO-016



D0-002

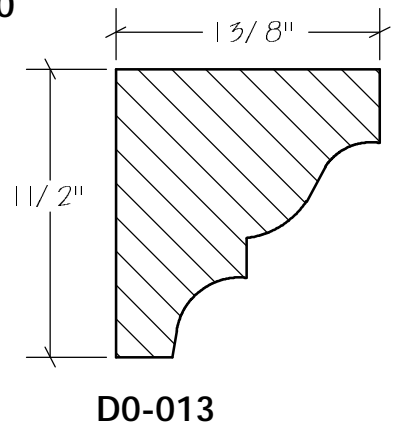
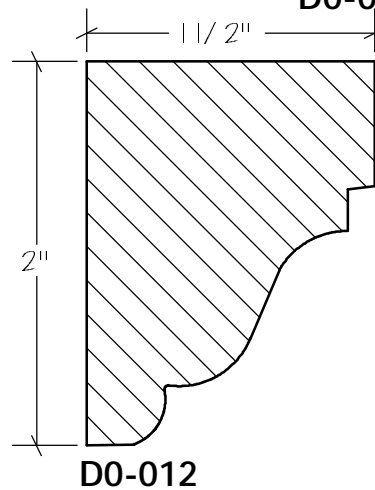
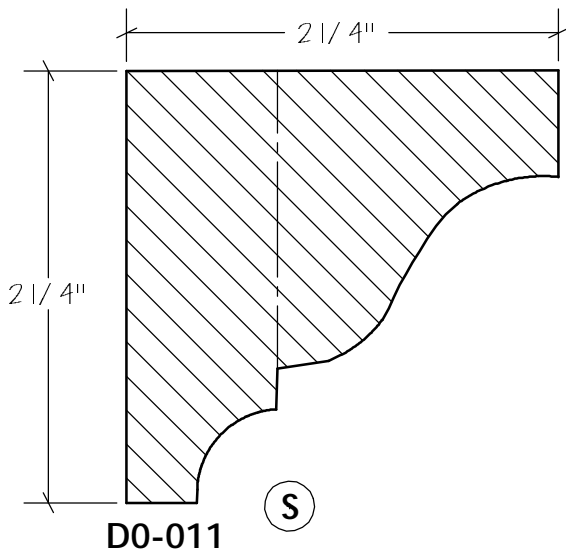
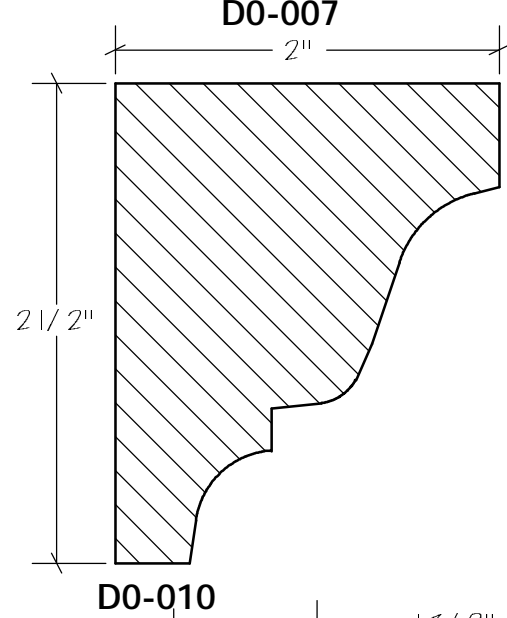
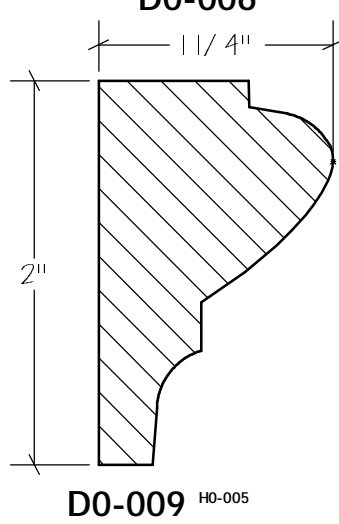
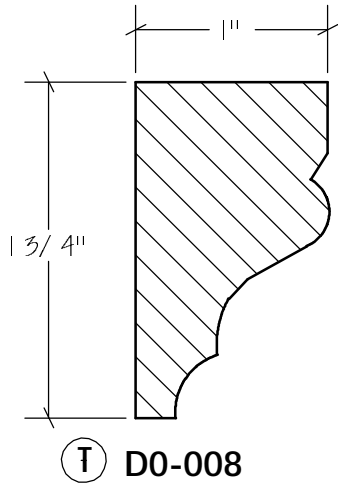
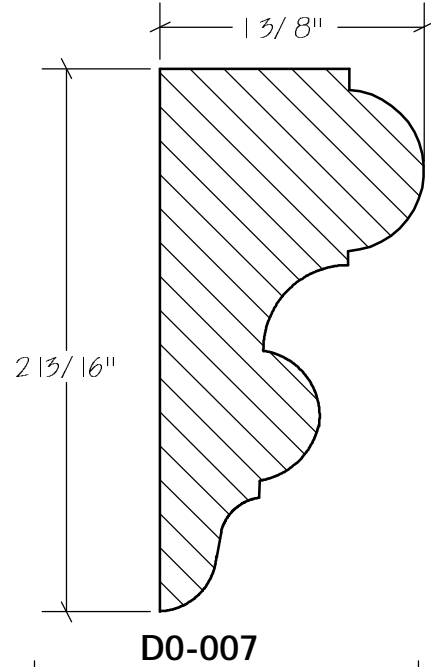
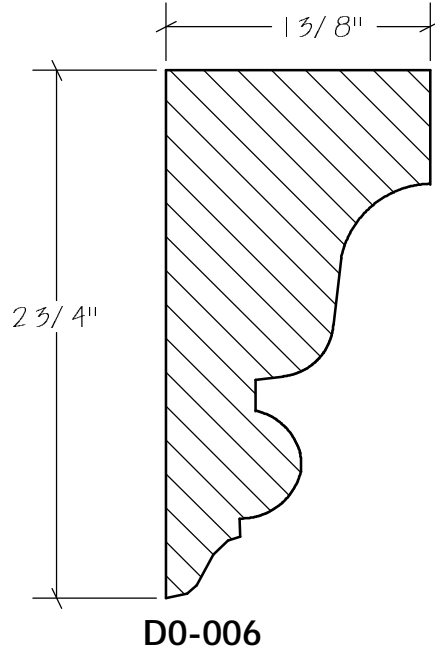
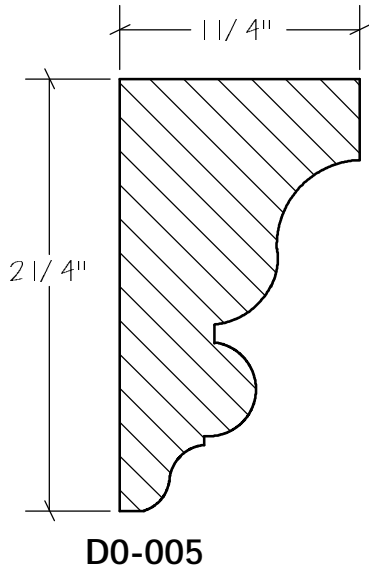


D0-003

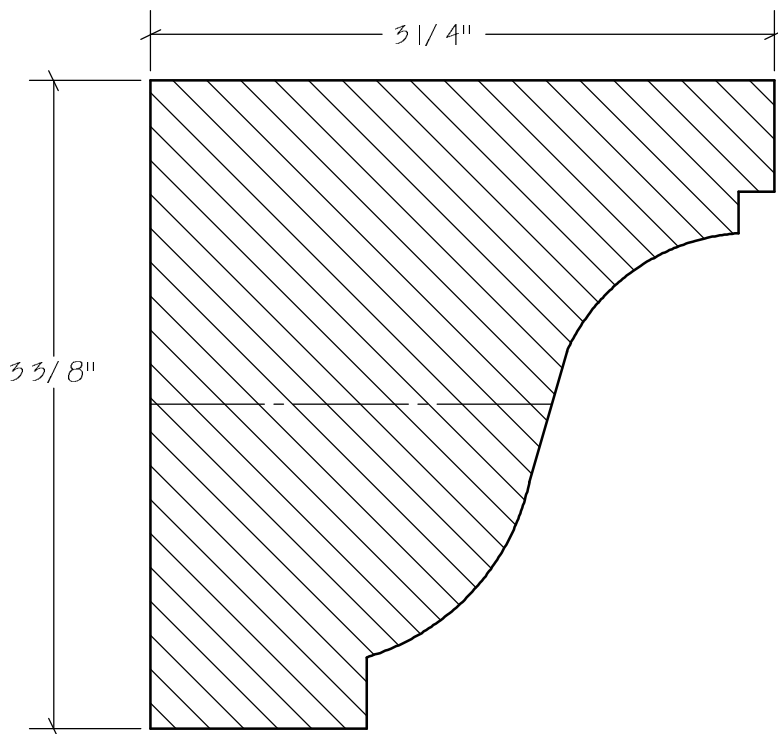


D0-004

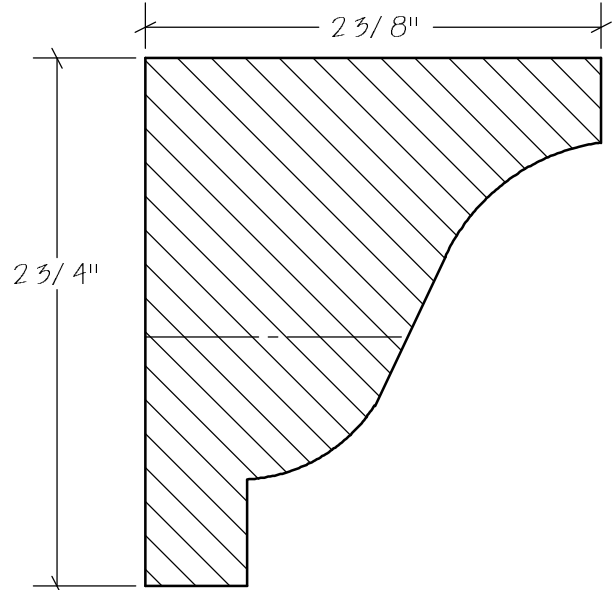
SolidCrowns



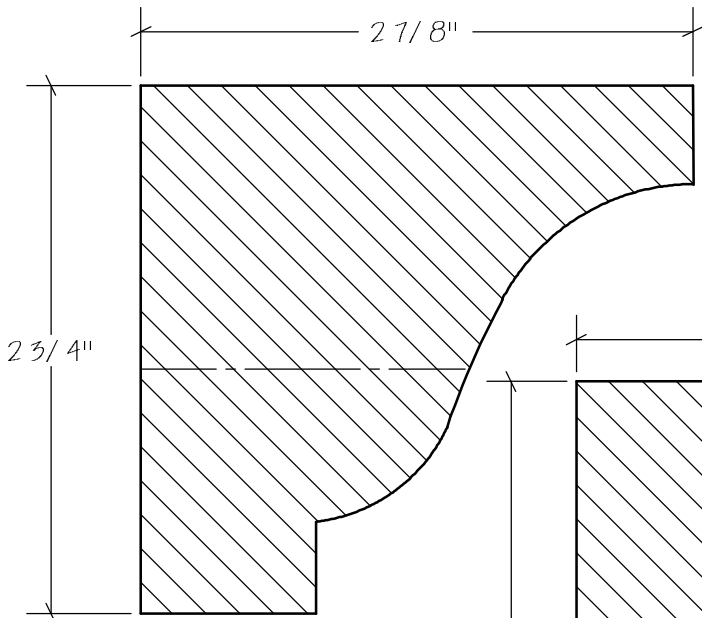
SolidCrowns



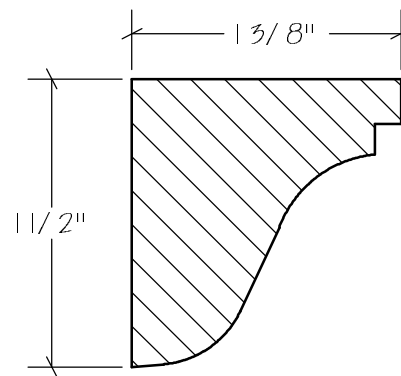
(S) D0-014



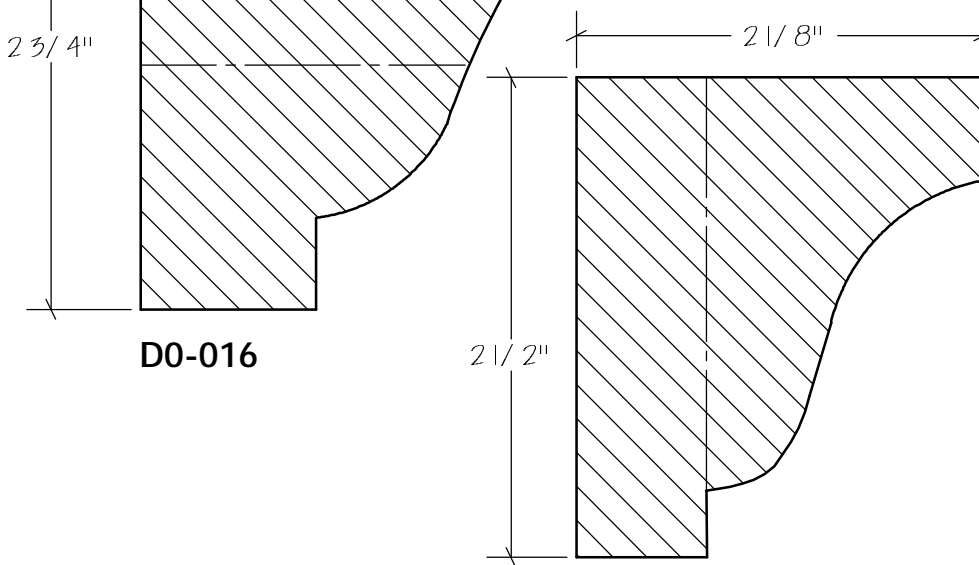
(S) D0-015



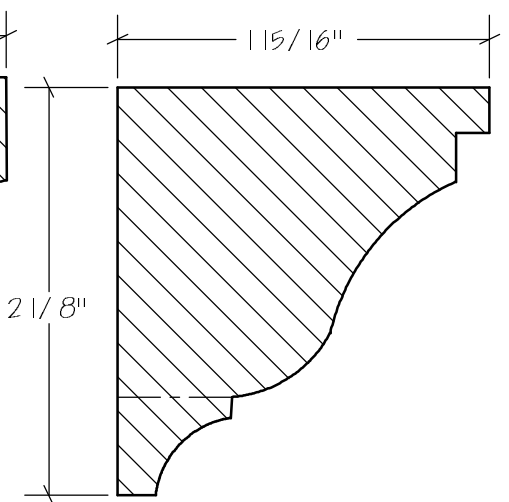
D0-016



D0-017

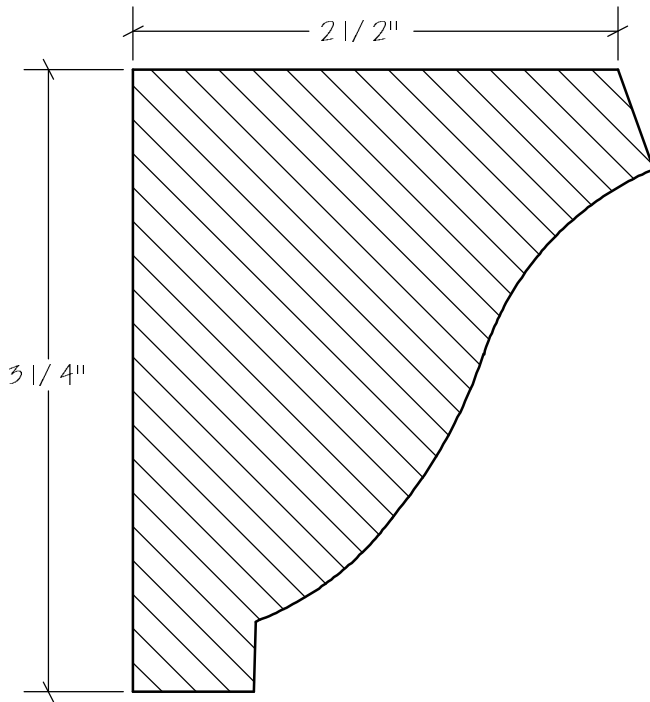


D0-018

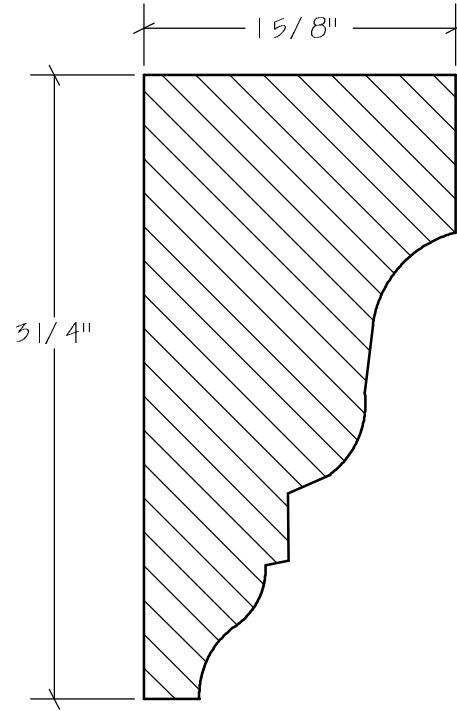


D0-020

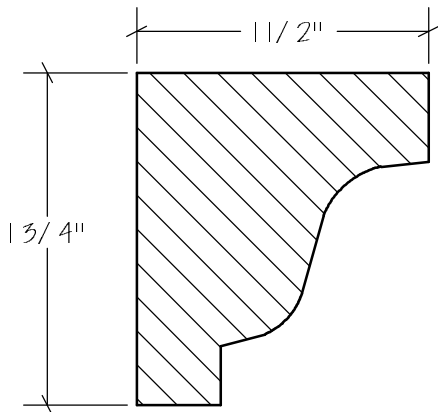
SolidCrowns



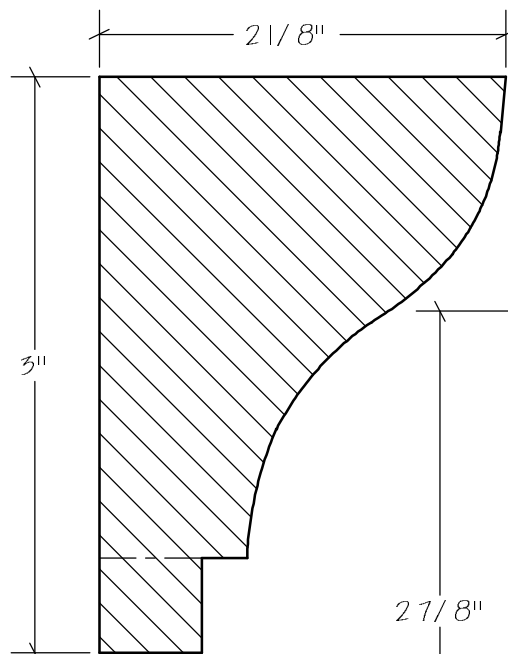
D0-019



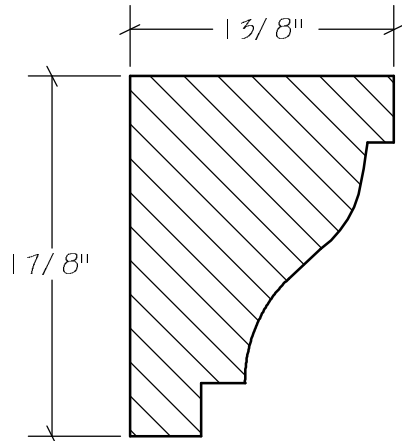
D0-021



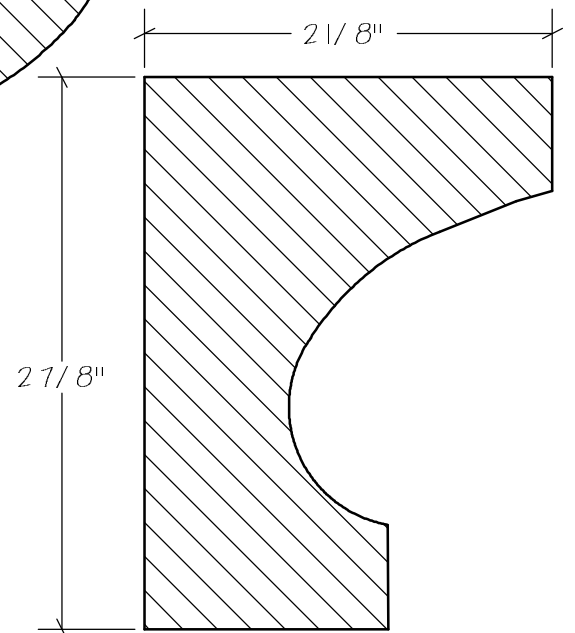
D0-022



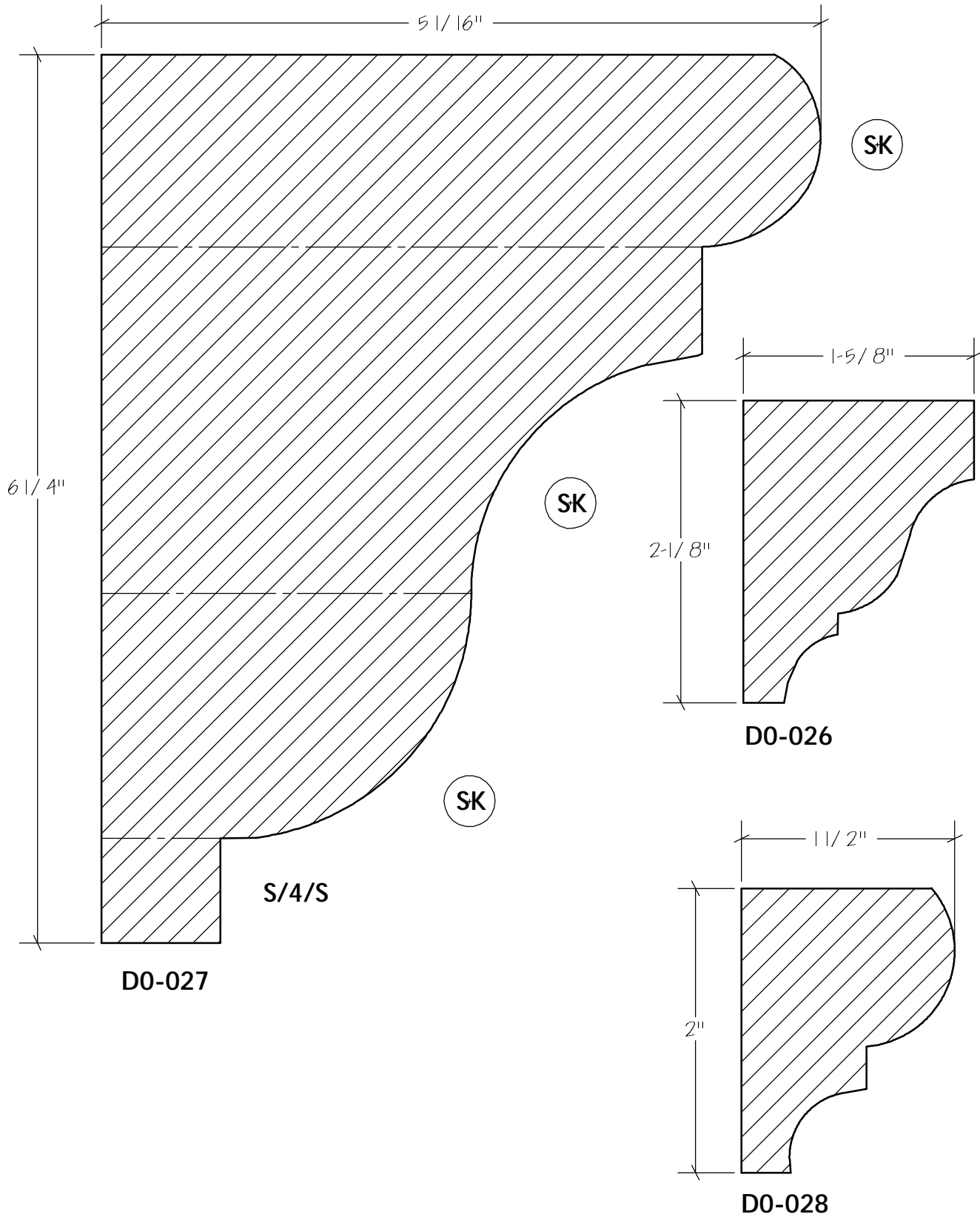
(S) D0-025



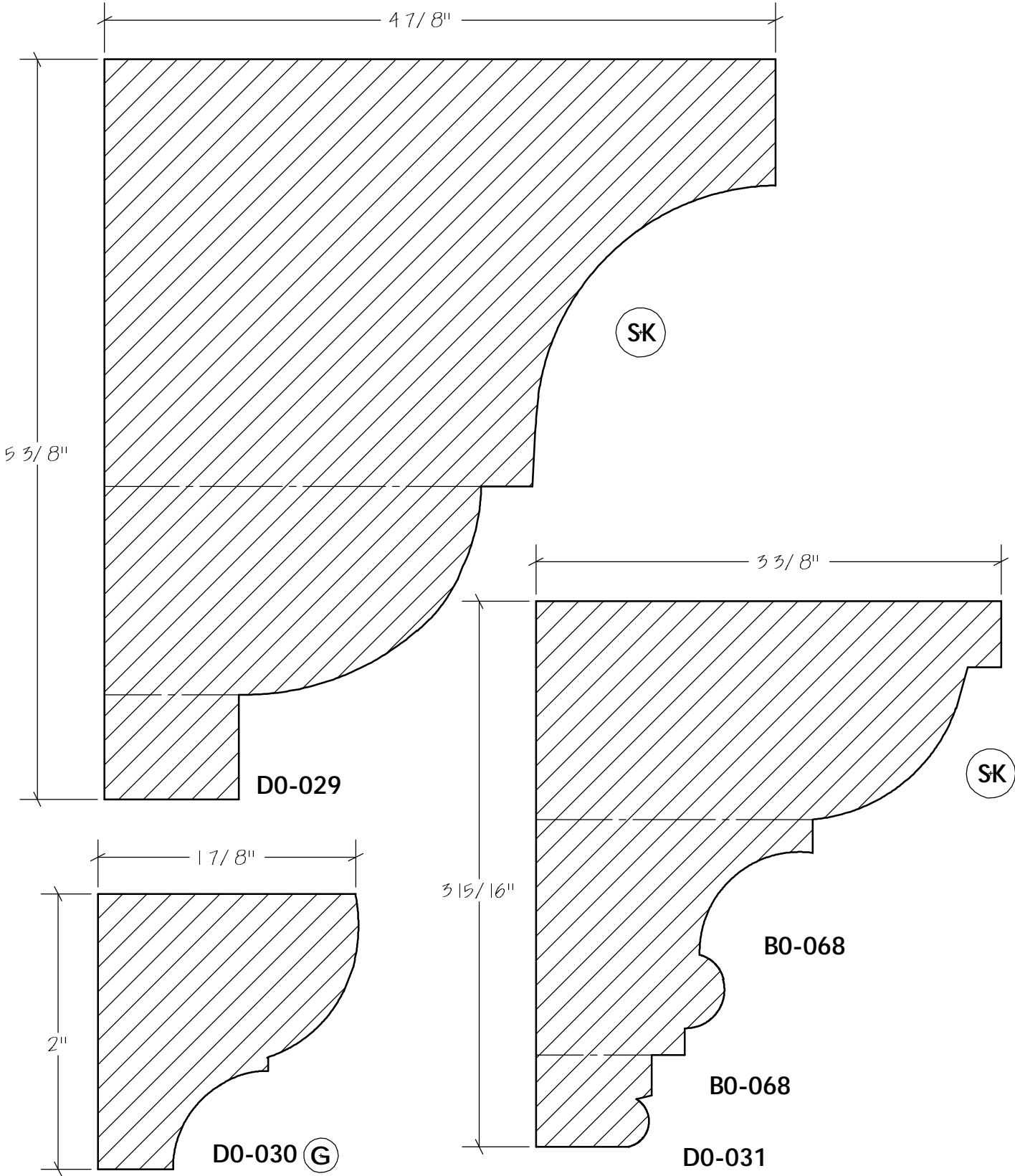
D0-023



D0-024



SolidCrowns



SolidCrowns

